

Features

Individual addressable manual fire alarm callpoint with:

- Power and data supplied via IDNet addressable communications using a single wire pair
- Enhanced aesthetics
- Designed for fast and easy installation
- Designed for EMI compatibility
- Surface mounting
- Test key allows the callpoint to be tested without breaking the glass
- Requires a special key to open the callpoint
- Simple snap fit to mounting box

Compatible with Simplex Model series 4010, 4100U, 4007ES, 4010ES and 4100ES

Description

IDNet Communicating Devices External Addressable Manual Callpoints, with compact communications module, installs easily to satisfy demanding applications. An integral individual addressable module (IAM) monitors status and communicates changes to the connected control panel via IDNet communications.

Specifications

Specifications	Rating
Power and communications	IDNet, 1 address per callpoint
Address means	DIP switch, 8 position
Device type	KACPUL
Wire connections	M3 spade terminals
Storage and operating temperature range	-22°F to 158°F (-30°C to 70°C)
Humidity range	Up to 95% RH non-condensing
Ingress protection	IP67
Color	Red, RAL3001
Material	PC/ABS
Dimensions (H x W x D)	3 5/8 in. x 3 1/2 in. x 2 7/8 in. (93 mm x 89 mm x 28 mm)

Note: This product is not presently agency listed. Contact your local Simplex product supplier for the latest status.



Figure 1: IDNet Addressable Manual Callpoint

Operation

Activation of the Simplex callpoint requires the glass element to be broken. Completing the action operates a micro-switch whose condition is signaled back to the control panel.

Callpoint reset requires the use of a special key (supplied with the callpoint) to remove the front cover which allows the glass element to be replaced.

Callpoint testing occurs by inserting the key fully into the bottom of the housing and pulling down. This releases the bottom of the housing and break glass element. To reset the callpoint, push the bottom of the housing upwards until it locks in position. (See Figure 2)

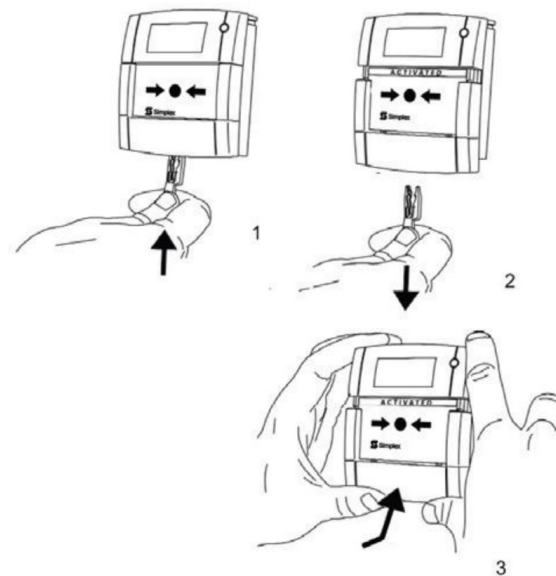


Figure 2: Callpoint Testing

Application Reference

Refer to NFPA 72, the *National Fire Alarm Code*, and all applicable local codes for complete requirements for manual callpoints. The following summarizes the basic requirements:

1. Callpoints are to be located in the normal path of exit and distributed in the protected area such that they are unobstructed and readily accessible.
2. Mounting shall be with the operable part not less than 3 1/2 ft (1.1 m) and not more than 4 1/2 ft (1.37 m) above floor level.
3. At least one callpoint is to be provided on each floor. Additional callpoints shall be provided to obtain a travel distance not more than 200 ft (61 m) to the nearest callpoint from any part of the building.
4. When manual callpoint coverage appears limited in any way, additional callpoints should be installed.

Product Selection

Addressable Manual Callpoints with Internal IAM

Model	Description
4099-9707	Simplex external English callpoint with LED

Accessories

Model	Description
4099-9706	Callpoint replacement glass, package of 10

Mounting Information

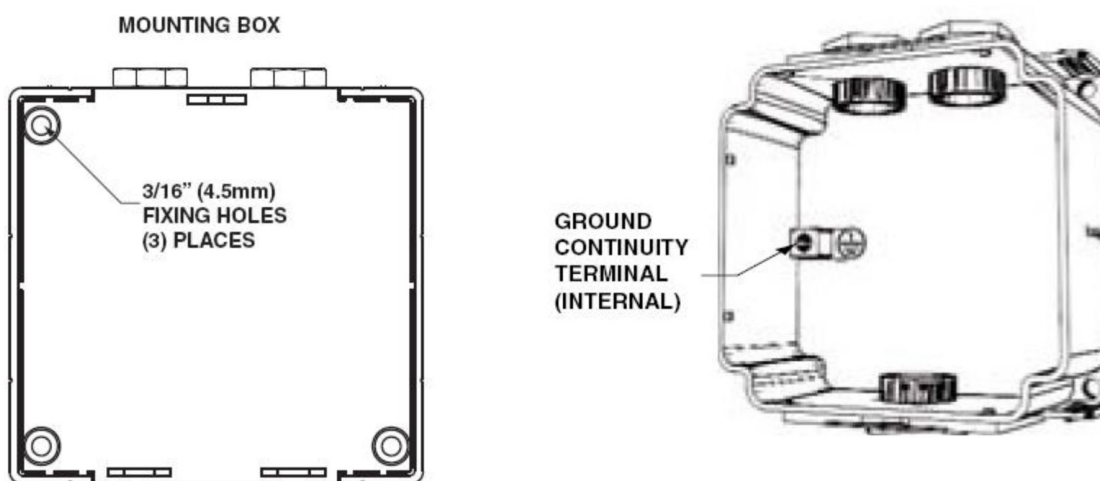


Figure 3: Mounting information

Mounting Notes:

1. Mount the back box to a suitably flat surface using the three fixing holes and the screws provided in the installation pack.
2. The 20 mm cable entry holes should be in the vertical plane.
3. The back box can be mounted with either the single or the double entry holes at the top.

Setting the Callpoint Address

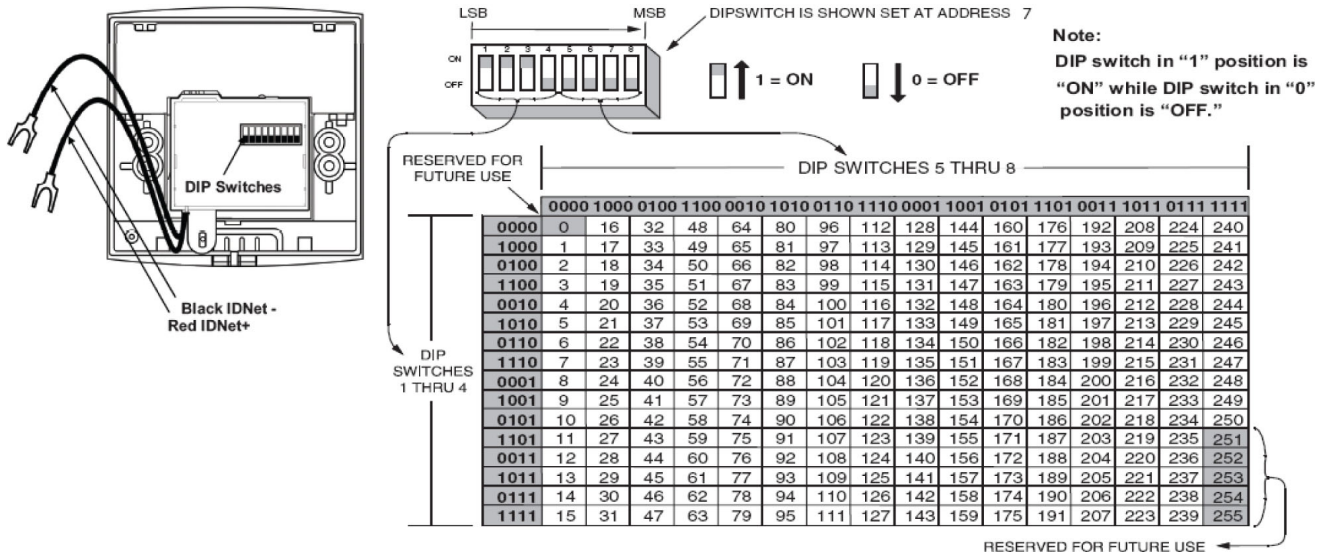


Figure 4: Setting the callpoint address

Fitting Callpoint to Backbox

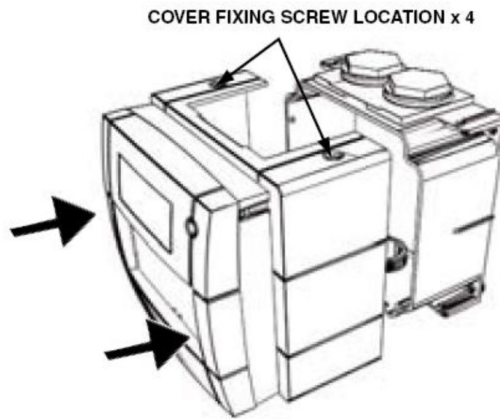


Figure 5: Fitting the callpoint to the backbox

1. Ensure that the O-ring is correctly seated in the channel on the rear of the cover.
2. Place the cover square over the back box and carefully push the cover until the locating clips have engaged.
3. Do not use excessive force.
4. It is recommended that the 4 cover fixing screws are used to lock the cover into place.
5. The O-ring should be replaced when refitting or replacing the Waterproof Cover.

Removing Callpoint from Backbox

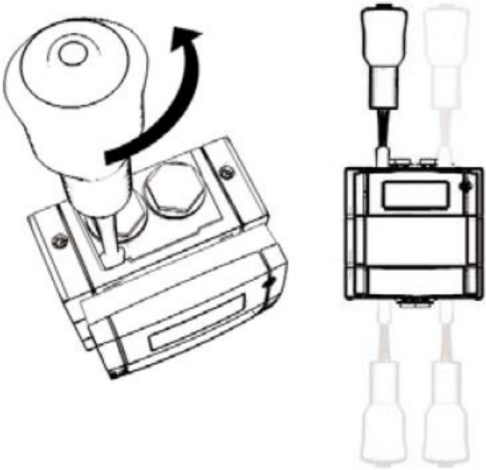


Figure 6: Removing the callpoint from the backbox

- 1. To remove the cover, undo and remove the 4 cover fixing screws.
- 2. Place the edge of a large flat bladed screwdriver into the slot between the cover and back box as shown right and gently twist until the latches are disengaged.
- 3. Pull cover away from backbox.

Replacing the Break Glass Element

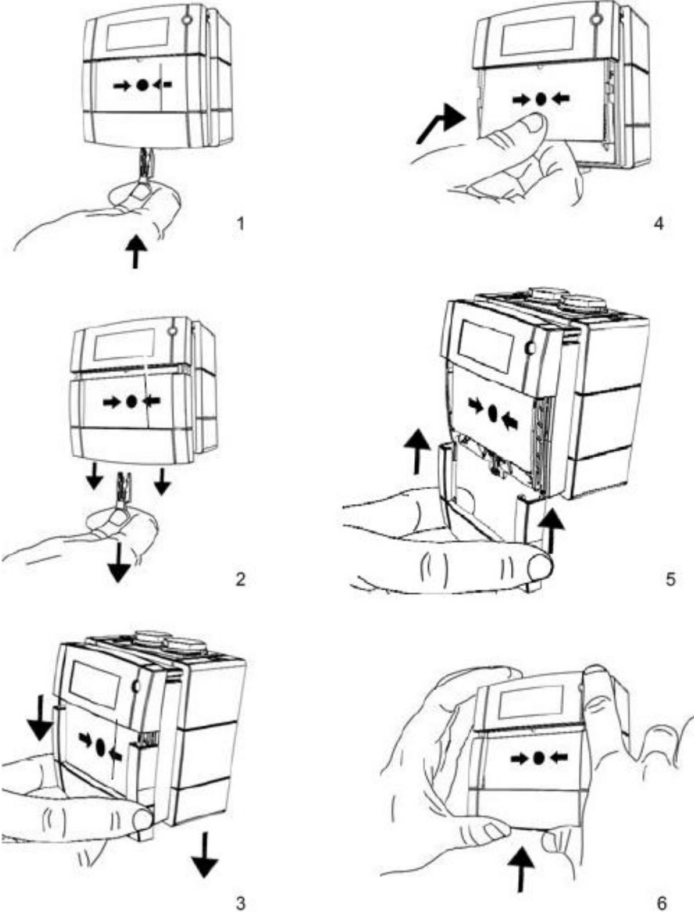


Figure 7: Replacing the Break Glass element

© 2020 Johnson Controls. All rights reserved. All specifications and other information shown were current as of document revision and are subject to change without notice. Additional listings may be applicable, contact your local Simplex® product supplier for the latest status. Listings and approvals under Simplex Time Recorder Co. Simplex, and the product names listed in this material are marks and/or registered marks. Unauthorized use is strictly prohibited. NFPA 72 and National Fire Alarm Code are registered trademarks of the National Fire Protection Association (NFPA).