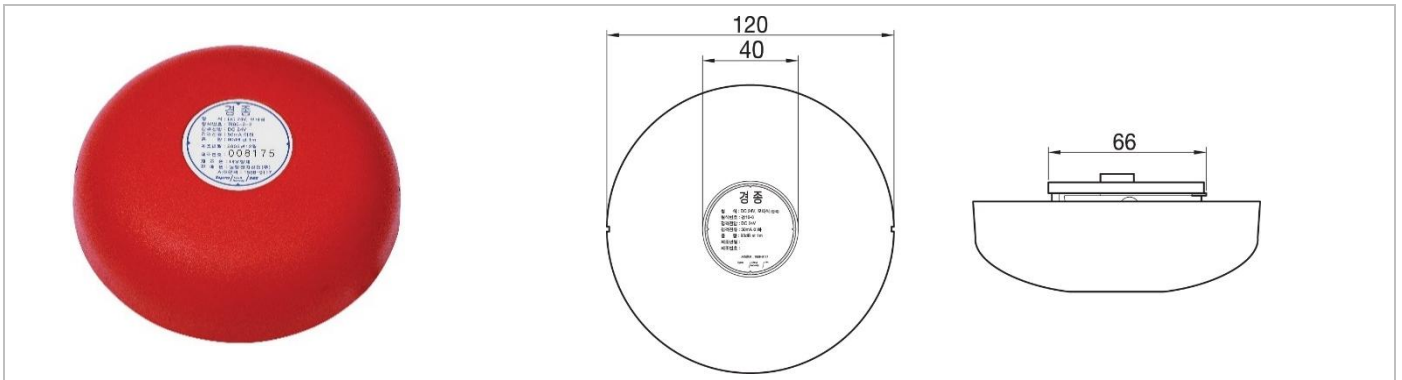


Alarm Bell

Bell

The alarm bell means a sound device used for fire alarm system.

The alarm bell serves to inform everyone on the fire-fighting object of the occurrence and evacuation of the fire.



SKUs	Need to create new SKUs	
KFI Type Approval	경10-6-1	
Rated Input Voltage	DC24V±20%	
Operating current	Max. 50mA	
Volume condition	90dB (1 meter from the center of the bell)	
Environment	Temperature	-10°C ~ 50°C
	Humid	0% ~ 95%
Size (mm)	120Ø x 40D	
Size (mm)	Approx. 220g	
Material	Steel	
Color	Red	